

# HJBMX 30 M4 0,09kW Zone 1: FAN (Ex h IIB+H2 T4 Gb) + MOTOR (Ex db IIC T5 Gb) (268313103XD)

## GENERAL DATA



### ATEX SQUARE WALL PLATE FAN WITH VARIABLE PITCH BLADES

#### MANUFACTURING FEATURES

- Square plate made of inox steel AISI 304.
- Variable pitch angle PAGAS (PA6 GF30 AS) impeller.
- Supplied with galvanized motor support and protection guard according to the ROHS 2002/95/EC Directive (Restriction of the Use of Certain Hazardous Substances in Electrical and Electronic Equipments).
- ATEX standard asynchronous motor. ATEX certified: II2G Ex d, Standard voltages 230V 50Hz for single phase motors, 230/400V 50Hz for three phase motors. IP55 protection.

#### APPLICATIONS

Designed for wall assembly, they are suitable for:

- Air renewal in buildings and industries.
- Smoke extraction (max. 60°C).
- General ventilation in closed environments classified as ATEX.
- Working temperature: ambient from -20°C to 60°C

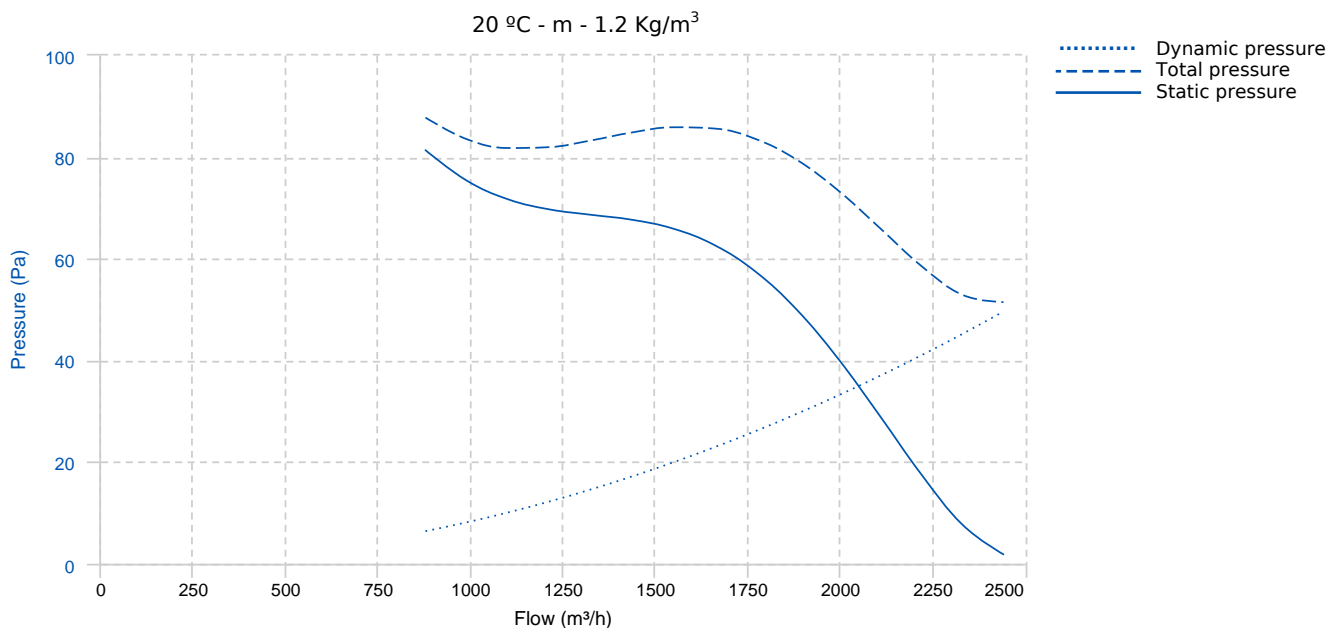
#### UNDER REQUEST

- 60Hz fans and special voltages.
- Stainless protection grid.

ORGANISM: L.O.M.  
CERTIFICAT N°: LOM 17.755X-C

In compliance with the Directive 2014/34/UE

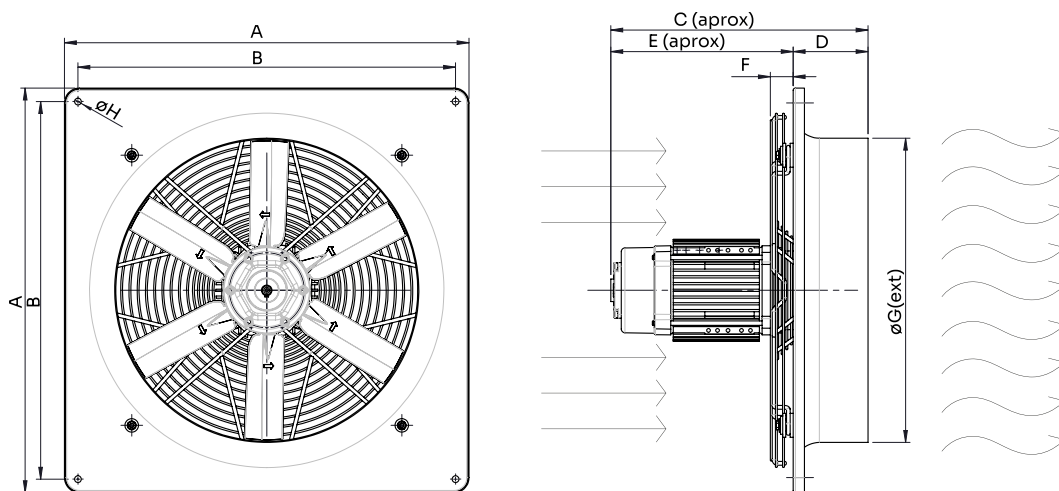
## PERFORMANCE CURVE



## TECHNICAL DATA

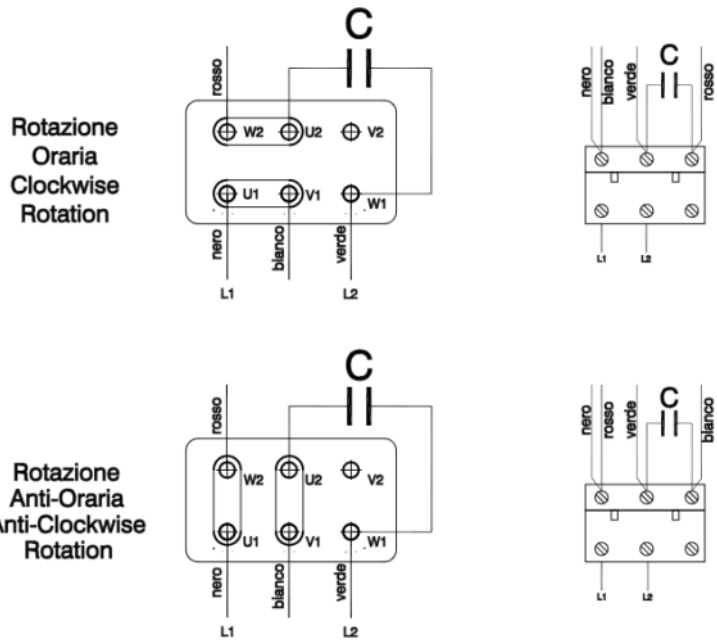
Fan							
RPM	1390	Approx. weight	5 kg	Max. Flow	2450 m <sup>3</sup> /h		
Motor							
Power	0,09 kW	RPM	1390	I max. (230V)	0,98 A	Size	63
Efficiency (%)	53 %	FP	0.75				

## DIMENSIONS




Dimensions (mm)									
A	404	B	337	C	341.5	D	82	E	259.5
F	31.5	G	317	H	9				

## WIRING DIAGRAM



## ACCESSORIES

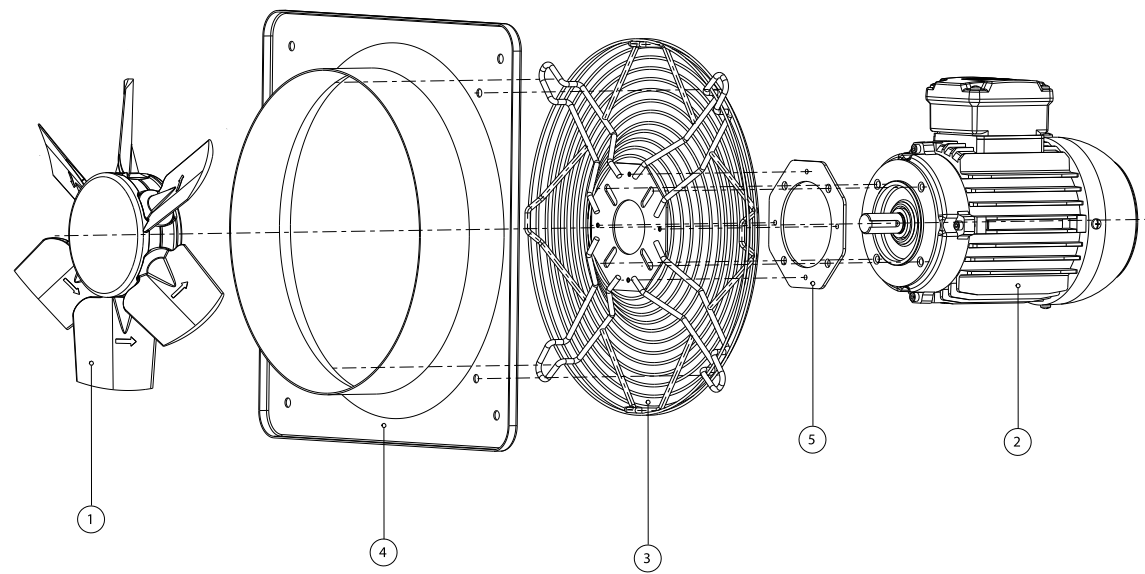


**Outlet protection guard for axial fans**  
**RP0 30**  
**REF: 980000030**



**ATEX SWITCH**  
**INT 16 ATEX**  
**REF: 510200016X**

## SPARE PARTS



	Code	Model	Qty
2	721601110M051	MOTOR 0,09KW M4 B14	x1